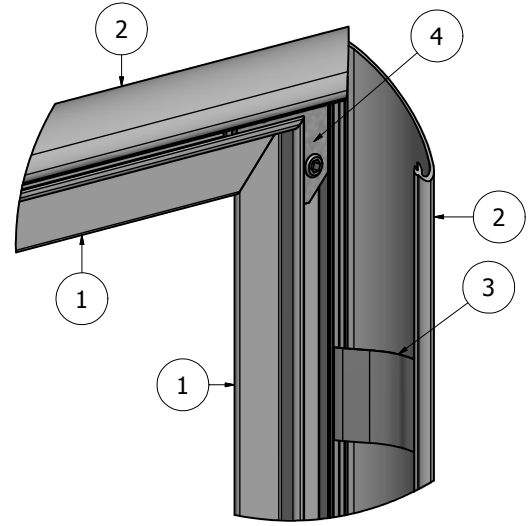
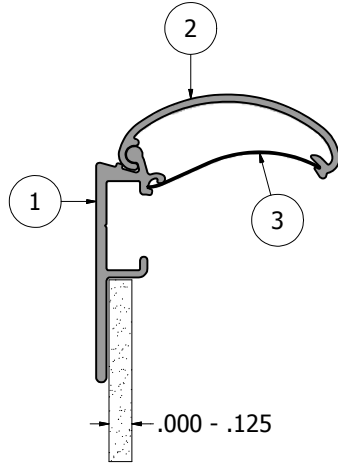


PARTS LIST			
ITEM	PART#	DESCRIPTION	NOTES
1	1899	Snap Frame	
2	1896	Snap Frame Radius Cover	
3	5892	Snap Frame Spring	
4	5890	2Piece Corner Key	3 Pieces - Front, Set Screws & Back

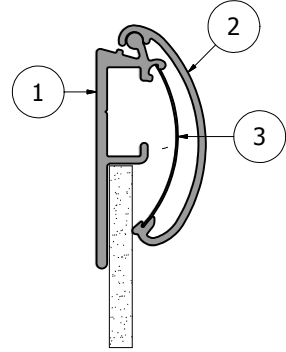
Ship To:
Sales Order#:



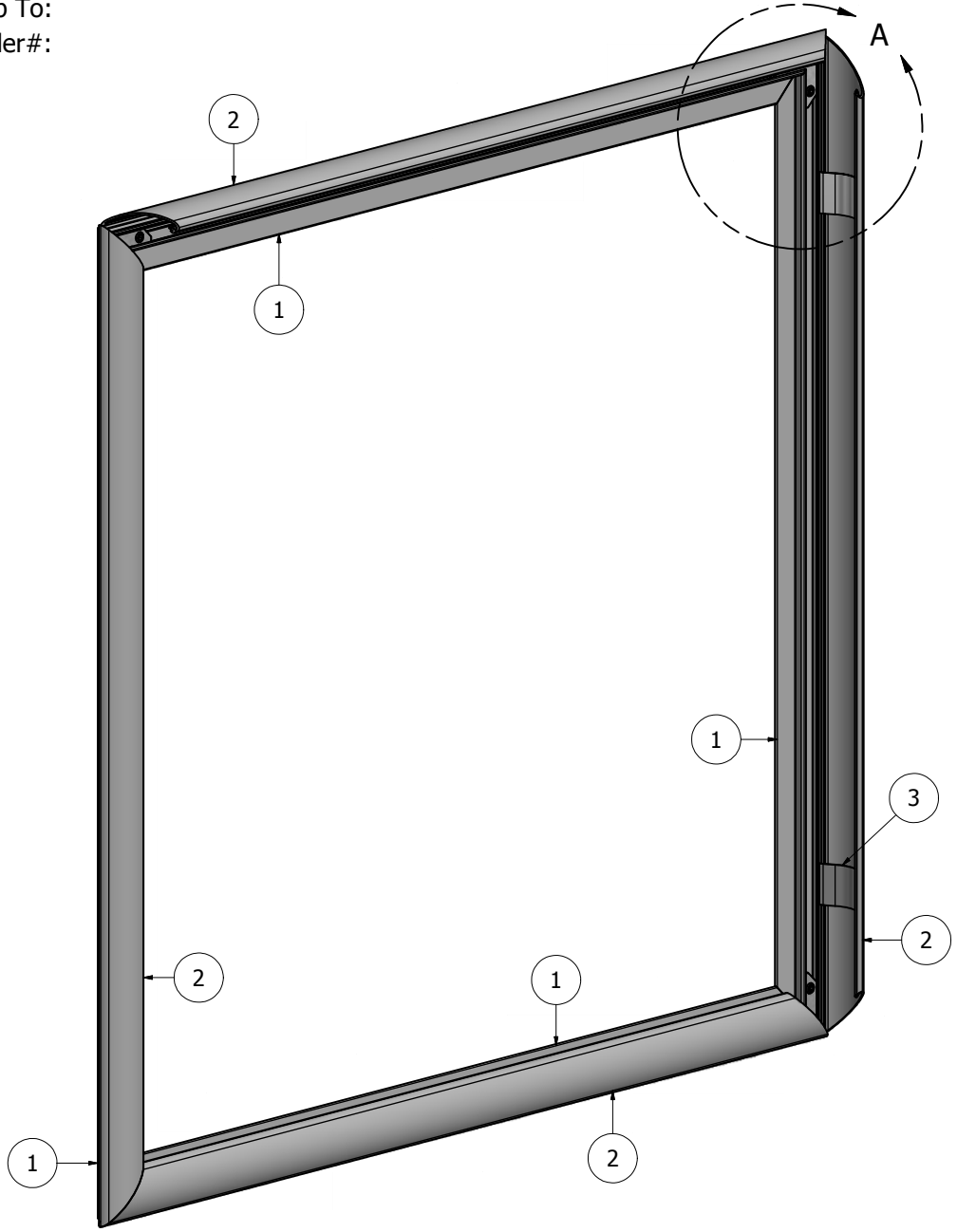
DETAIL A



CROSS-SECTION OPEN



CROSS-SECTION CLOSED



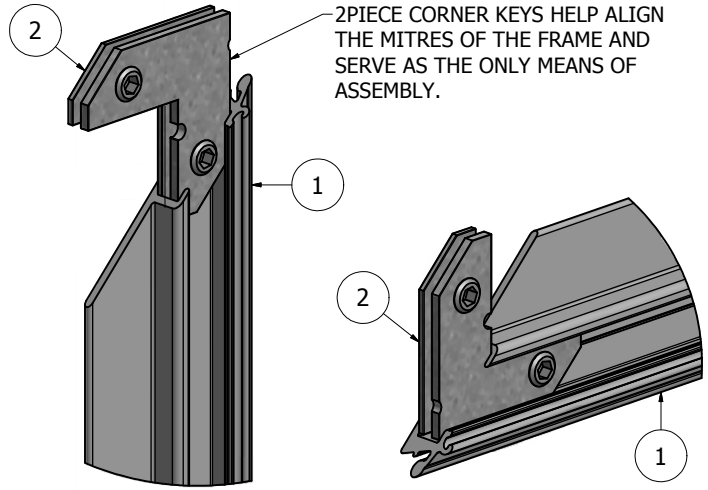
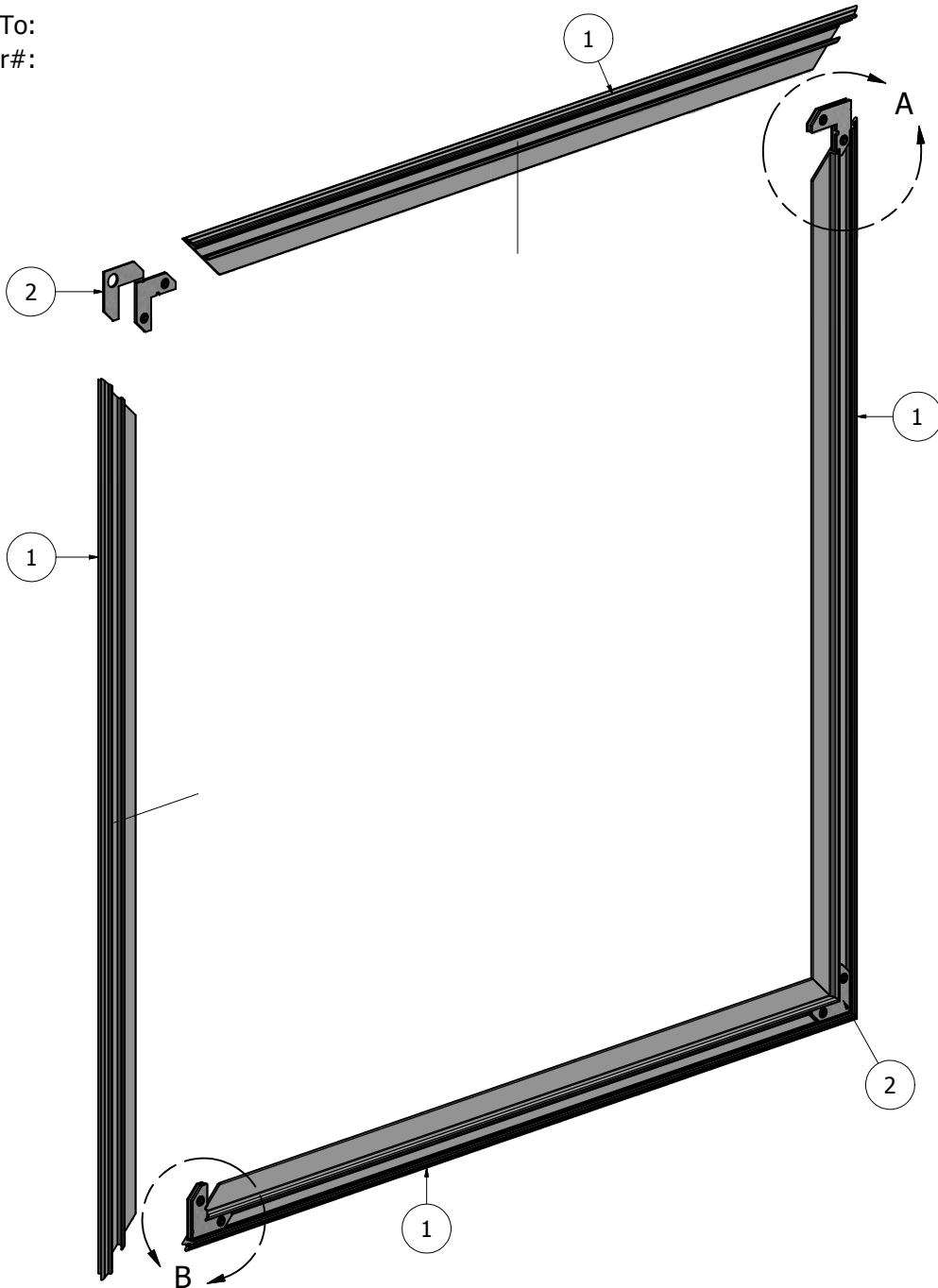
THIS DRAWING WAS CREATED AT NO CHARGE TO ASSIST YOU IN VISUALIZING OUR PROPOSAL. THE DRAWING HEREIN IS THE PROPERTY OF SIGNCOMP. PERMISSION TO COPY OR REVISE THIS DRAWING OR TO USE THIS DRAWING FOR PRODUCTION IS STRICTLY PROHIBITED AND CAN ONLY BE COPIED, REVISED OR USED FOR PRODUCTION WITH THE EXPRESSED WRITTEN PERMISSION OF SIGNCOMP.

DRAWN	SBreihof	8/30/2012
Centroid X:	0.000 in	
Centroid Y:	0.000 in	
Principal Moments Ix:	0.000 in ⁴	
Principal Moments Iy:	0.000 in ⁴	
Section Modulus Ix:	0.000 in ³	
Section Modulus Iy:	0.000 in ³	

SignComp		TITLE
		Snap Frame with Radius Snap Frame Cover - Assumbly
DWG NO	K1899/1896	REV
SHEET 1 OF 1		

PARTS LIST			
ITEM	PART#	DESCRIPTION	NOTES
1	1899	Snap Frame	
2	5890	2Piece Corner Key	Threaded Angle, Back Plate & Set Screws

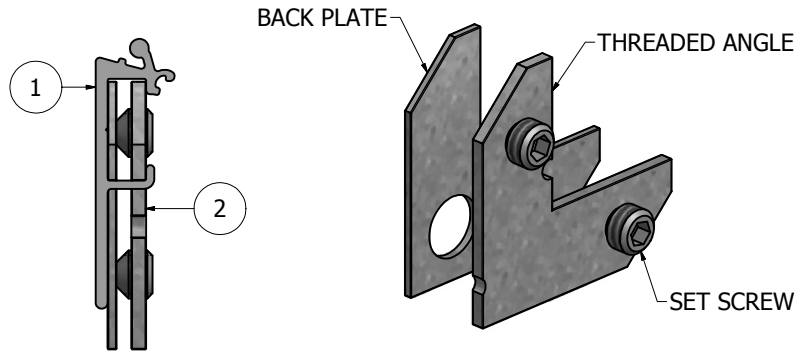
Ship To:
Sales Order#:



2PIECE CORNER KEYS HELP ALIGN THE MITRES OF THE FRAME AND SERVE AS THE ONLY MEANS OF ASSEMBLY.

DETAIL A

DETAIL B



CROSS-SECTION VIEW

ALIGN THE BACK PLATE AND ANGLE THEN SLIDE INTO THE CHANNEL OF THE FRAME. THE APPLIED PRESSURE BY TIGHTENING THE SET SCREWS, SEPARATES THE ANGLES SECURING THEM IN THE FRAME CHANNEL.

THIS DRAWING WAS CREATED AT NO CHARGE TO ASSIST YOU IN VISUALIZING OUR PROPOSAL. THE DRAWING HEREIN IS THE PROPERTY OF SIGNCOMP. PERMISSION TO COPY OR REVISE THIS DRAWING OR TO USE THIS DRAWING FOR PRODUCTION IS STRICTLY PROHIBITED AND CAN ONLY BE COPIED, REVISED OR USED FOR PRODUCTION WITH THE EXPRESSED WRITTEN PERMISSION OF SIGNCOMP.

DRAWN	SBreihof	8/30/2012	SignComp	
Centroid X:	0.000 in			
Centroid Y:	0.000 in		TITLE	
Principal Moments Ix:	0.000 in ⁴		Snap Frame - Assembly	
Principal Moments Iy:	0.000 in ⁴		DWG NO	REV
Section Modulus Ix:	0.000 in ³		K1899	
Section Modulus Iy:	0.000 in ³		SHEET 1 OF 1	